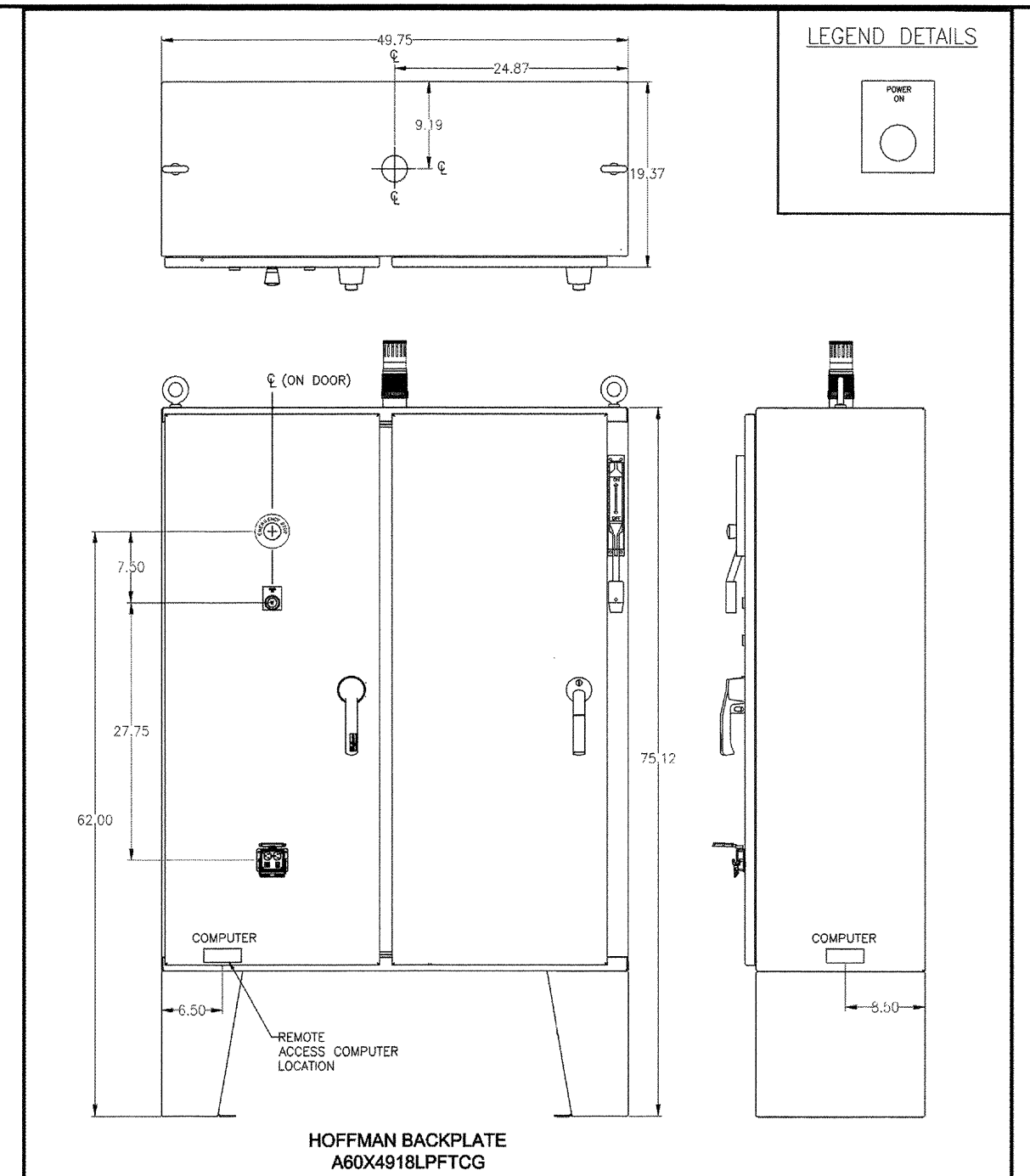


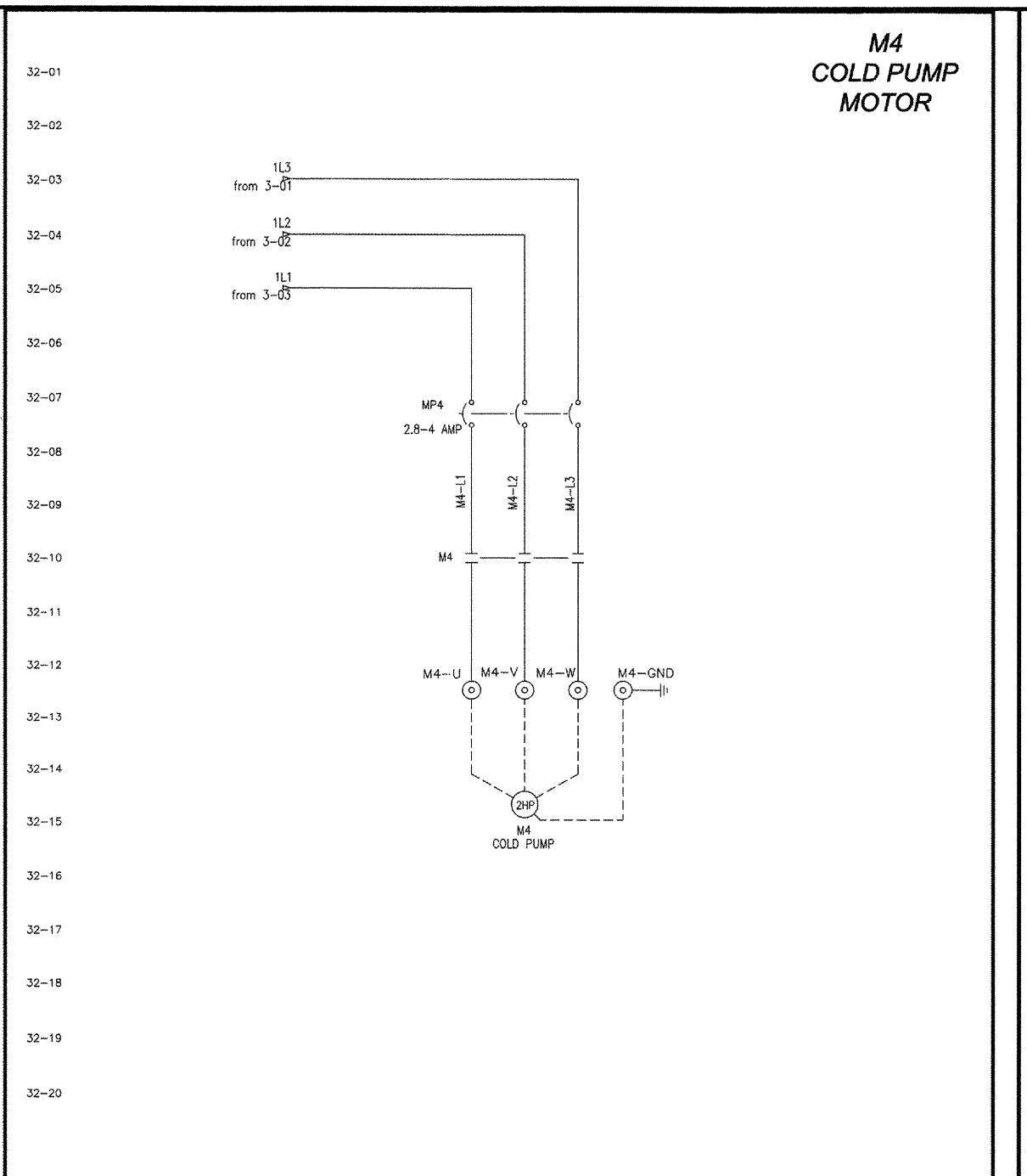
SOLVERE **DEUTSCHE BEVERAGE CO.**
 49 Mackleville Road, Belmont, NC 28012
 Phone (704) 829-1015 • Fax (704) 829-1055

FILE NAME: S08293-60.dwg DATE ISSUED: 04/29/2015
 DRAWING NUMBER: S08293-60 SCALE: N.T.S.
 REV: 0 SHEET: 60



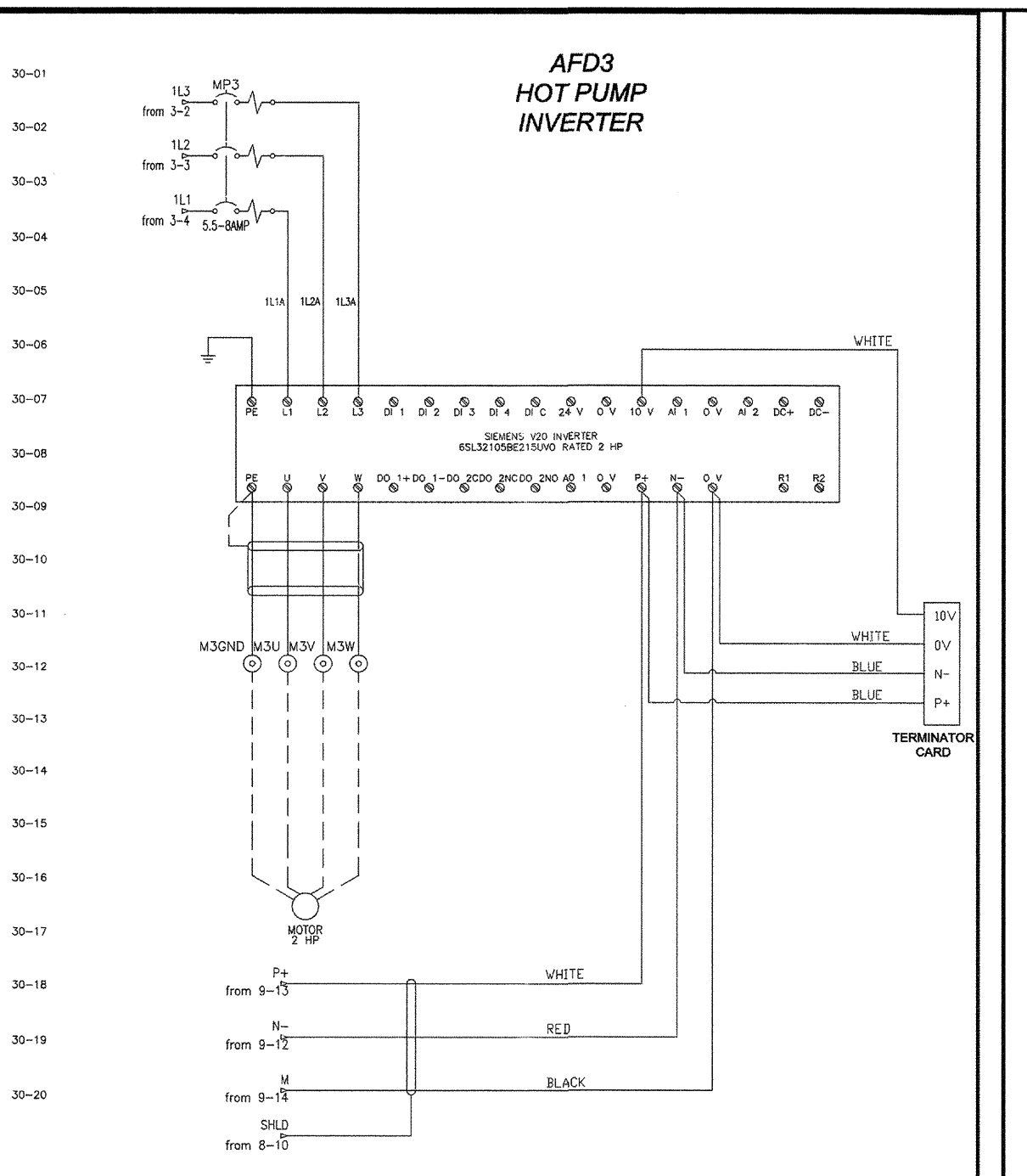
SOLVERE **DEUTSCHE BEVERAGE CO.**
 49 Mackleville Road, Belmont, NC 28012
 Phone (704) 829-1015 • Fax (704) 829-1055

FILE NAME: S08293-45.dwg DATE ISSUED: 04/29/2015
 DRAWING NUMBER: S08293-45 SCALE: N.T.S.
 REV: 0 SHEET: 45



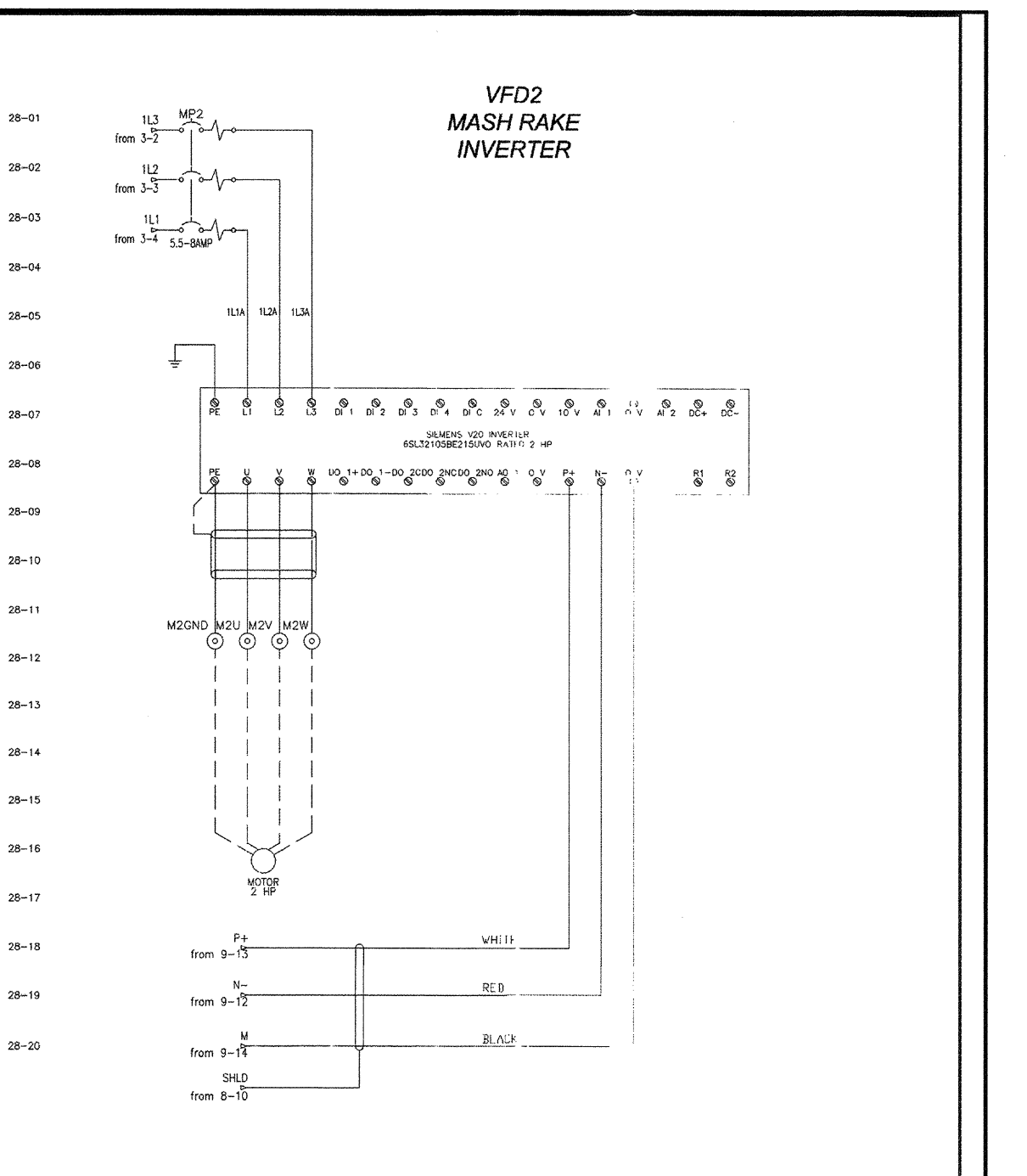
SOLVERE **DEUTSCHE BEVERAGE CO.**
 49 Mackleville Road, Belmont, NC 28012
 Phone (704) 829-1015 • Fax (704) 829-1055

FILE NAME: S08293-32.dwg DATE ISSUED: 04/29/2015
 DRAWING NUMBER: S08293-32 SCALE: N.T.S.
 REV: 0 SHEET: 32



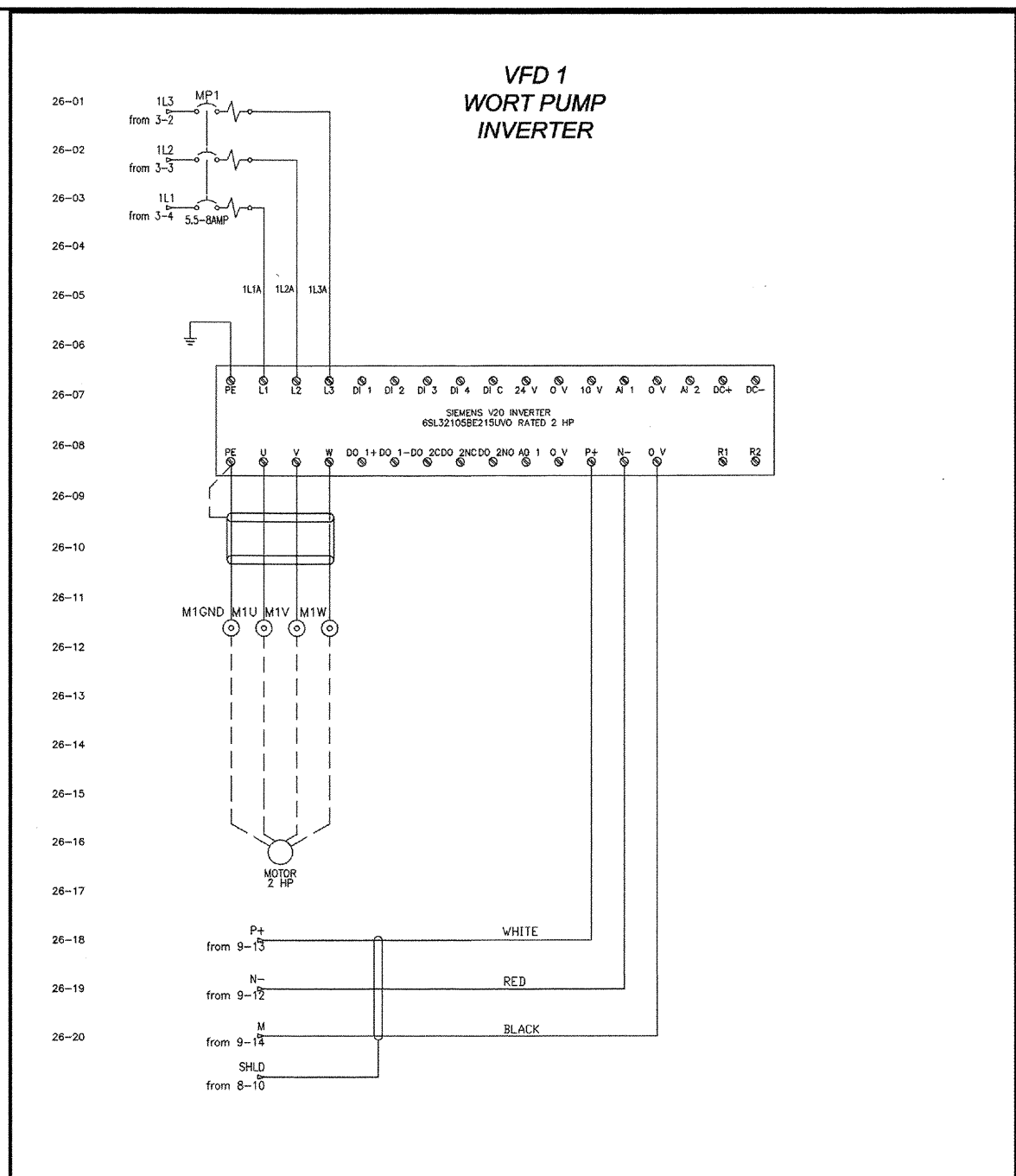
SOLVERE **DEUTSCHE BEVERAGE CO.**
 49 Mackleville Road, Belmont, NC 28012
 Phone (704) 829-1015 • Fax (704) 829-1055

FILE NAME: S08293-30.dwg DATE ISSUED: 04/29/2015
 DRAWING NUMBER: S08293-30 SCALE: N.T.S.
 REV: 0 SHEET: 30



SOLVERE **DEUTSCHE BEVERAGE CO.**
 49 Mackleville Road, Belmont, NC 28012
 Phone (704) 829-1015 • Fax (704) 829-1055

FILE NAME: S08293-28.dwg DATE ISSUED: 04/29/2015
 DRAWING NUMBER: S08293-28 SCALE: N.T.S.
 REV: 0 SHEET: 28



SOLVERE **DEUTSCHE BEVERAGE CO.**
 49 Mackleville Road, Belmont, NC 28012
 Phone (704) 829-1015 • Fax (704) 829-1055

FILE NAME: S08293-26.dwg DATE ISSUED: 04/29/2015
 DRAWING NUMBER: S08293-26 SCALE: N.T.S.
 REV: 0 SHEET: 26

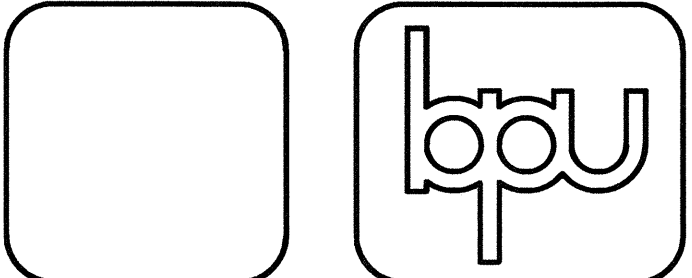
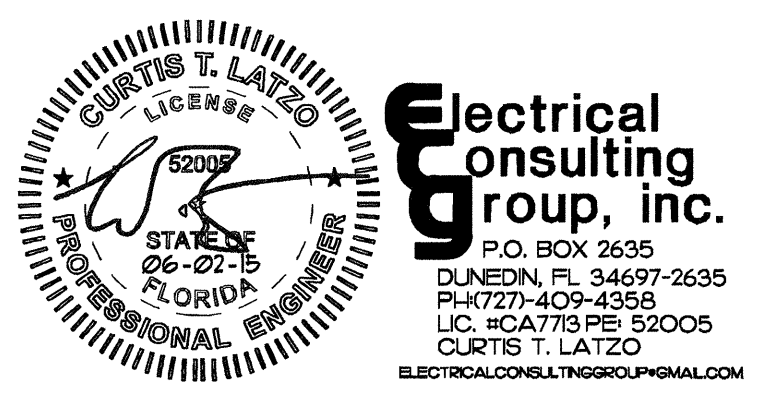
NOTES	NO.	DESCRIPTION	TRIP	POLE	VOLT	BREAKER		DESCRIPTION	CT	NOTES		
						A	B					
3	1	PLC	30	3	480	6094	1385		2	3		
5	3					6094	1385		4	5		
5	5								6	5		
5	7	MALT CRUSHER	15	3	480	1400	9895		8	5		
5	9					1400	9895		10	5		
5	11					1400	9895		12	5		
5	13	PANELS A AND A1	200	3	480	7868			14	5		
5	15					7868			16	5		
5	17					7868			18	5		
5	19								20	5		
5	21	BAR RECEIPT	20	1	120				22	5		
5	23	BAR RECEIPT	20	1	120				24	5		
5	25	BAR RECEIPT	20	1	120				26	5		
5	27	BAR RECEIPT	20	1	120				28	5		
5	29	BAR RECEIPT	20	1	120				30	5		
5	31	BAR RECEIPT	20	1	120				32	5		
5	33	BAR RECEIPT	20	1	120				34	5		
5	35	PATRON AREA RECEIPT	20	1	120				36	5		
5	37	PATRON AREA RECEIPT	20	1	120				38	5		
5	39	PATRON AREA RECEIPT	20	1	120				40	5		
5	41	PATRON AREA RECEIPT	20	1	120				42	5		
CONNECTED VA SYSTEM VOLTS						97242	97242	97242				
SYSTEM VOLTS						277/480V, 3 PHASE	351	351	351			
PHASE AMPS												
NOTES	LOAD TYPE	CONNECTED	NEC DEMAND	DEMAND LOAD	NOTE ()							
1	LIGHTING	0	1.25	0	VA							
2	RECEPTACLES	0	1	0	VA							
3	AIR CONDITIONING	0	0	0	VA							
4	HEATING	0	0	0	VA							
5	MISC. NON-CONTINUOUS	291726	1	291726	VA							
6	CONTINUOUS	0	1.25	0	VA							
7	KITCHEN	0	0.65	0	VA							
		TOTAL		291726	VA							
		277/480V, 3 PHASE		351	AMPS							

NOTES	NO.	DESCRIPTION	TRIP	POLE	VOLT	BREAKER		DESCRIPTION	CT	NOTES		
						A	B					
3	1	CU-1	30	3	208	3360	5000		2	4		
3	3					3360	5000		4	4		
3	5					3360	5000		6	4		
3	7	CU-2	30	3	208	3360	5000		8	4		
3	9					3360	5000		10	4		
3	11					3360	5000		12	4		
3	13	CU-3	30	3	208	3360	5000		14	4		
3	15					3360	5000		16	4		
3	17					3360	5000		18	4		
2	19	BAR RECEIPT	20	1	120	500	1248		20	5		
2	21	BAR RECEIPT	20	1	120	500	1248		22	5		
2	23	BAR RECEIPT	20	1	120	500	1248		24	5		
2	25	BAR RECEIPT	20	1	120	500	1248		26	5		
2	27	BAR RECEIPT	20	1	120	500	1248		28	5		
2	29	BAR RECEIPT	20	1	120	500	1248		30	5		
2	31	BAR RECEIPT	20	1	120	500	1248		32	5		
2	33	BAR RECEIPT	20	1	120	500	1248		34	5		
2	35	PATRON AREA RECEIPT	20	1	120	1080	3120		36	5		
2	37	PATRON AREA RECEIPT	20	1	120	1080	3120		38	5		
2	39	PATRON AREA RECEIPT	20	1	120	540			40	5		
2	41	PATRON AREA RECEIPT	20	1	120	540			42	5		
CONNECTED VA SYSTEM VOLTS						35284	34681	37726	NOTES ()			
SYSTEM VOLTS						120/208V, 3 PHASE	294	286	314	BREAKERS FOR MULTI WIRE BRANCH CIRCUITS TO BE SUPPLIED WITH THE HANDLES		
PHASE AMPS									PANEL A1 LOAD = 206 AMPS TOTAL LOAD = 284 AMPS			

NOTES	NO.	DESCRIPTION	TRIP	POLE	VOLT	BREAKER		DESCRIPTION	CT	NOTES		
						A	B					
2	1	OFFICE RECEIPT	20	1	120	540	540		2	2		
2	3	STORAGE RECEIPT	20	1	120	540	540		4	2		
2	5	ROOF RECEIPT	20	1	120	1800			6	5		
2	7	STORAGE RECEIPT	20	1	120	720	360		8	5		
2	9	STORAGE RECEIPT	20	1	120	360	360		10	5		
5	11	COOLER DOOR HEATER	20	1	120	300			12	5		
5	13	COOLER DOOR HEATER	20	1	120	300			14	5		
2	15	STORAGE RECEIPT	20	1	120	540			16	5		
2	17	BREWING AREA RECEIPT	20	1	120	1156			18	5		
2	19	BREWING AREA RECEIPT	20	1	120	900	84		20	5		
2	21	BREWING AREA RECEIPT	20	1	120	700			22	5		
1	23	BREWING AREA LIGHTING	20	1	120	1320	1260		24	1		
1	25	BREWING AREA TRACK	20	1	120	1440	1260		26	1		
1	27	STORAGE AREA LIGHTING	20	1	120	700			28	1		
5	29	CEILING FANS	20	1	120	280			30	1		
1	31	OFFICE/CONF. LIGHTING	20	1	120	984	552		32	1		
1	33	SKIN	20	1	120	1200			34	1		
1	35	SKIN	20	1	120	1200			36	1		
1	37	SKIN	20	1	120	1200			38	1		
1	39								40			
1	41								42			
CONNECTED VA SYSTEM VOLTS						6480	6380	10411	NOTES ()			
SYSTEM VOLTS						120/208V, 3 PHASE	71	53	87	BREAKERS FOR MULTI WIRE BRANCH CIRCUITS TO BE SUPPLIED WITH THE HANDLES		
PHASE AMPS									PANEL A1 LOAD = 206 AMPS TOTAL LOAD = 284 AMPS			

SOLVERE **DEUTSCHE BEVERAGE CO.**
 49 Mackleville Road, Belmont, NC 28012
 Phone (704) 829-1015 • Fax (704) 829-1055

FILE NAME: S08293-26.dwg DATE ISSUED: 04/29/2015
 DRAWING NUMBER: S08293-26 SCALE: N.T.S.
 REV: 0 SHEET: 26



COMMERCIAL RENOVATIONS for DEBINE BREWERY

999 Florida Av.
 PALM HARBOR, FL.

BARRY P. ULLMANN ARCHITECT, LLC

615 S. MISSOURI AVE., SUITE B 727-441-4405
 CLEARWATER, FLORIDA 33756

REVISIONS	DATE

JOB NO. 271501
 DRAWN BY VGH
 CHECKED BY CT
 DATE 03/05/15
 SHEET NO. E-4